



GE FERN^{DL}

With FERN you know you have invested not just in lighting up your life today, but in a brighter, safer, more radiant tomorrow. FERN – a product of GE Lighting that is truly innovative, illuminating and inspiring.



Product designs are registered with GE Lighting

GE India Industrial Pvt. Ltd.

7th Floor, Summit B, 73/1, Brigade Metropolis, Whitefield Road, Garudachar Palya, Mahadevapura Post, Bangalore – 560 047.

E: gelifightingindia.query@ge.com P: 080 4930 8000 F: 080 4930 8800

www.gelifighting.com

GE
Lighting



GE FERN^{DL}

Downlighting LED technology for multi applications



imagination at work



Lighting

Solutions for life

GE Lighting has always been a thought leader and an innovator in lighting solutions and systems.

Given today's shrinking natural resources our concern at GE Lighting has always been to create, design and develop products that will not just improve and enhance the quality of our lives but also do so in an environmentally friendly manner.

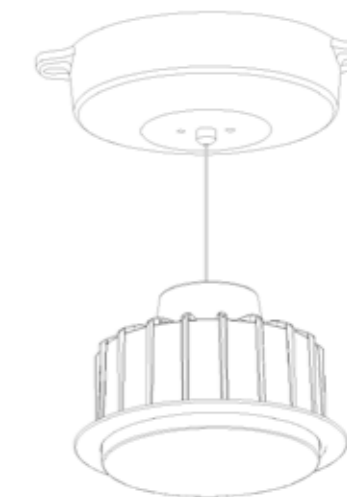
Our 'green' lighting systems are a beautiful blend of aesthetics and functionality which help in keeping us safe, protected and comfortable. We have ensured that these lighting products are long lasting, use less energy than other conventional lighting systems and most importantly are sustainable.

GE FERN^{DL}

A lighting revolution that will illuminate your life.

Lighting systems differ greatly for different spaces and usage and one size does not fit all. Our products are developed in different variants for different uses.

Come, let us explore FERN. A future friendly LED system, with many exciting options on offer.

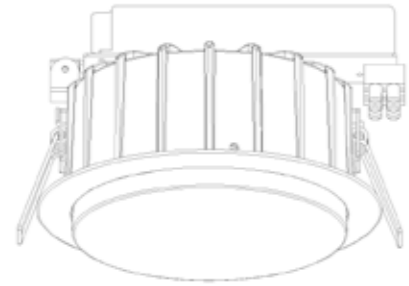


PENDANT Lighting

Entertaining family, friends or colleagues in spaces that are warm and inviting create the right ambience, so essential for meaningful interactions. What's more, the welcoming atmosphere creates the right impression.

GE FERN^{DL} - Pendant Lighting is ideal for:

- Entertainment lounges such as bars and restaurants
- Dining spaces of offices, hospitals, educational institutions and commercial entertainment complexes
- Meet and greet areas for commercial or hospitality sectors



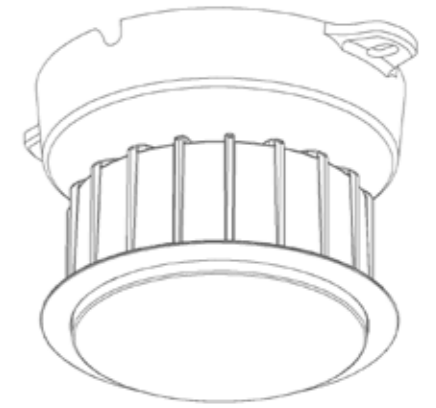
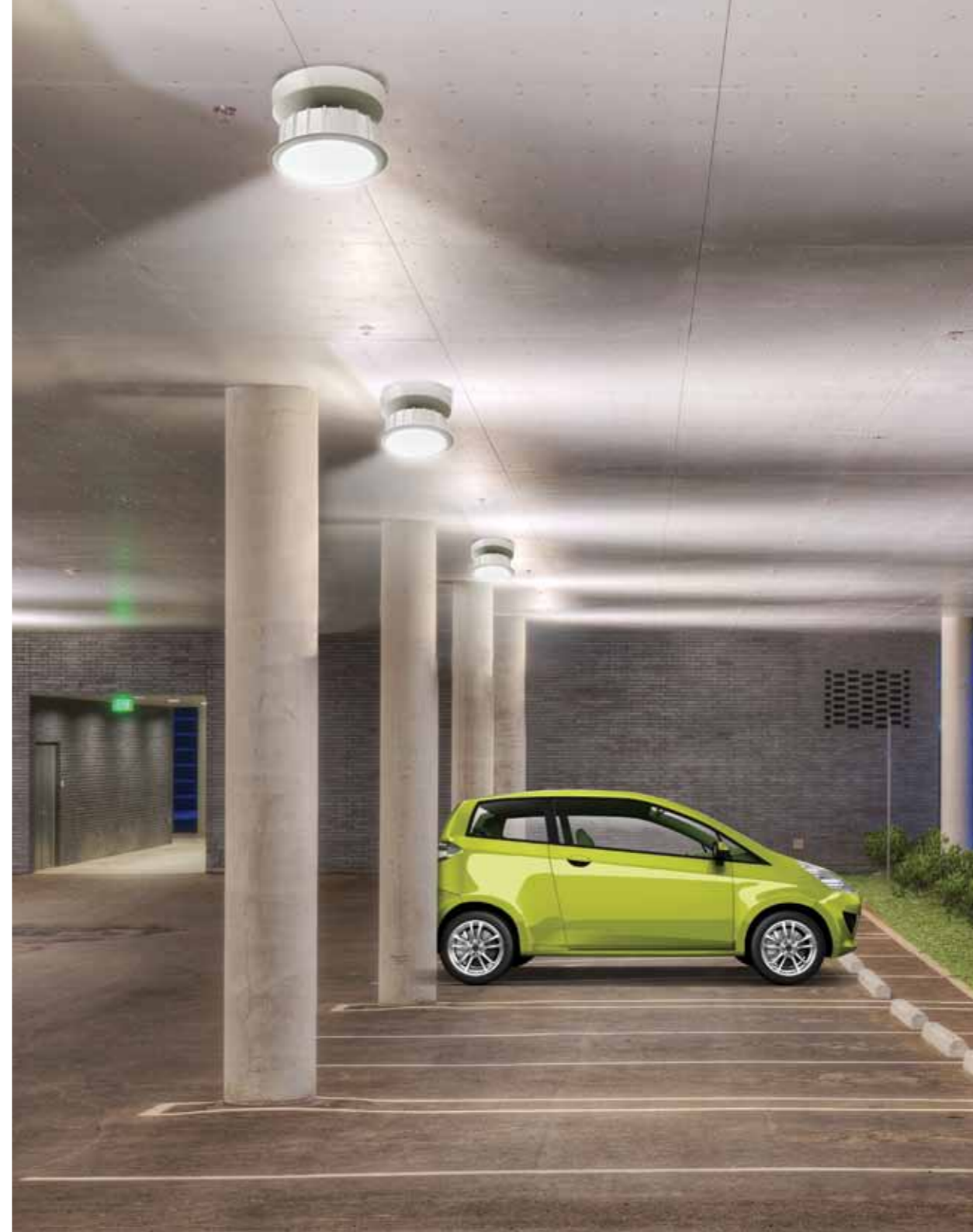
RECESSED Lighting

In order to maximise your work output, it is essential that we have the right kind of illumination.

FERN Recessed Lighting has been developed for those areas at work, where we spend a large portion of our time.

GE **FERN**^{DL} Recessed Lighting is ideal for:

- Reception areas of residential, commercial, industrial, healthcare facilities and educational institutions
- Corridors of residential apartment complexes, hospitals, hotels and industrial infrastructure
- Office work stations



SURFACE MOUNTED Lighting

Our work, residential and entertainment premises comprise of defined spaces where lighting is essential for accomplishing tasks with regulated bright lighting.

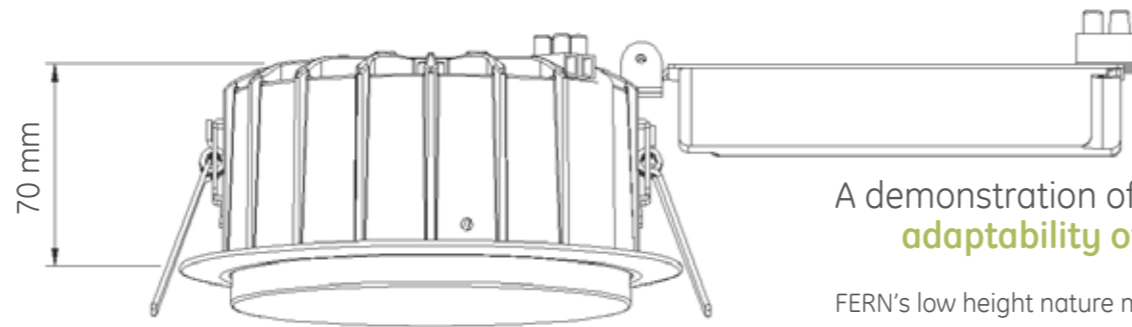
GE **FERN**^{DL} Surface Mounted Lighting is ideal for:

- Lobby areas and long corridors
- Parking lots

FERN lighting systems have been specially crafted to ensure that there is bright light in every sphere of life – work, play and at home.

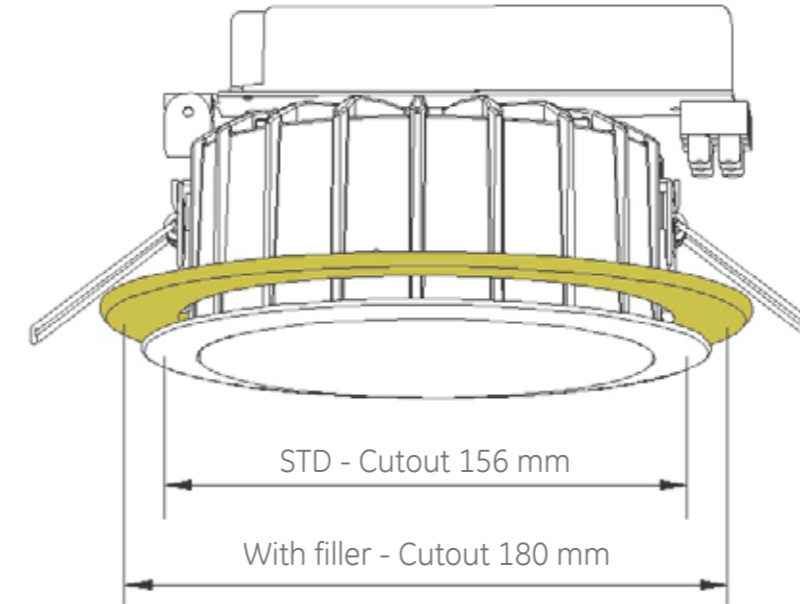
Switch to **LED**
for sustainable benefits

With FERN you can rest assured that it has been designed keeping long-term sustainability and ROI in mind. While the aim of any lighting system is to brighten up spaces, FERN LEDs accomplish this basic task with a host of additional benefits.



A demonstration of **adaptability of FERN^{DL}**

FERN's low height nature make it adaptable in areas, where false ceiling gap from true ceiling is constrained. Example - areas from where air conditioning ducts are routed. Additionally, FERN's integral driver makes it more robust and easily customizable.



A demonstration of **flexibility of FERN^{DL}**

Considerable thought and effort has gone into ensuring that FERN is adaptable and can be adjusted to fit even wider cutout ranges.

Performance &
Efficiency

- High Efficiency Drivers – get more light for less power
- Low THD – assuring less power distortion and no interference with other equipment
- High power factor – most of the power supplied is used by the downlighter
- Less wastage in power transmission
- UL approved MCPCB with high thermal conductivity – best-in-class technology gives outstanding LED life and Lumen maintenance

- Unique PDC housing – elegance and extreme functionality with ultra cool performance helps keep the LEDs at their best throughout the product's lifespan
- Diffuser made of specially formulated PC compound, eliminating LED typical bright spots and eye-glare, while delivering superior light transmission
- Creates a uniform light source, with a pleasing effect on the eye

Quality &
Affordability

- 50% Energy Saving when compared with CFL systems
- 50,000 burning hours of high power LED ensures uninterrupted service life
- Mercury free – with no harmful and toxic emissions it reduces environmental damage
- Cost efficiency helps substantial savings over its lifetime

Durability &
Reliability

- 50K burning hours at L70
- Excellent color rendering index >80
- In-built system protection safeguards over voltage, short circuit, over load, wrong wiring
- High efficiency driver with lesser system loss
- Designed with care for ease of installation & maintenance

Flexibility &
Versatility

- Wide color temperature options - Cool White to Warm White
- Recessed, Surface and Suspended mounting options
- Protruded & Flush diffuser options to cater to the LG7 & Standard requirements
- Wide product range 6W, 12W & 18W for existing CFL system replacement of 10W, 18W & 2x18W

Complies with various safety and
Environmental standards

- IS 10322
- LM -79 for System
- LM - 80 for Chip
- IEC 60598
- ROHS

Distinct moods require unique
lighting effects

Warm White ~4000K



Utility Solutions

- Museum displays
- Jewelry display cabinets
- Wine bars and lounges
- Specialty entertainment

Neutral White ~5000K



Utility Solutions

- Large retail format displays
- Supermarkets
- Apparel retail units
- Textile manufacturing hubs

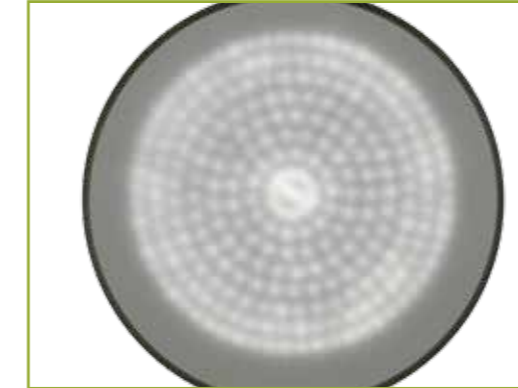
Cool white ~6000K



Utility Solutions

- Office spaces
- Libraries
- Book stores
- Industrial workshops or garage spaces

Pot holed Effect : - Usage of correct diffuser and spacing of LEDs are critical for creating a soothing light effect and reducing discomfort glare, essential for good quality interior lighting.



Light fixtures with jagged spacing of LEDs and incorrect diffusers result in patchy and uneven light.



GE FERN delivers soothing light distribution while maintaining high efficiency.

The cave effect : The light beaming from a depth, as in the case of regular products available, causes an oppressive 'cave effect'. As per CIBSE 2001 amendment, apart from illuminance at workplace luminance on ceilings too plays a critical role in good quality lighting.



The regular products currently available are designed such that their light emitting surface is embedded deeply, hence incapable of spilling light on the ceiling.



GE FERN LG7's discreet design enables the spilling of light on the ceiling, thereby increasing ceiling brightness and reducing the cave effect.

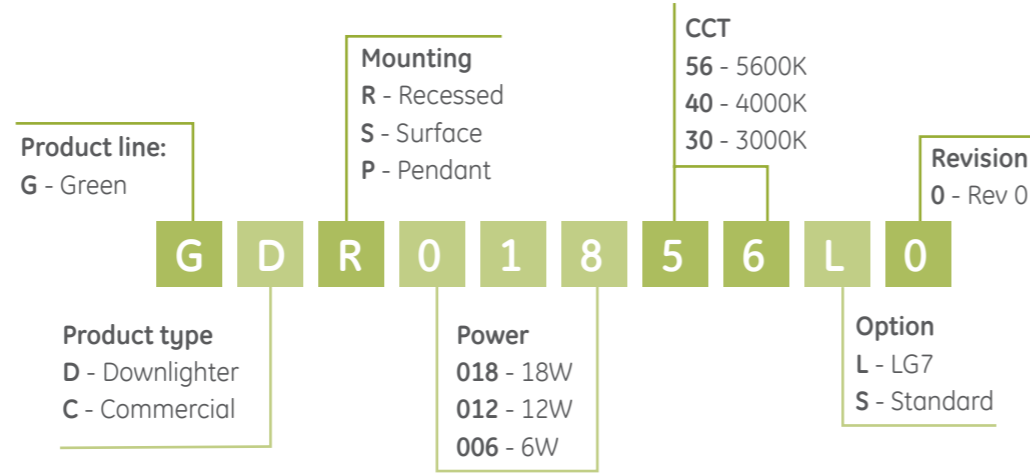
Why
GE FERN^{DL}
scores over others

GE's FERN LED has been designed as a multi-utility lighting system with many specialised features allowing it to be used in a wide variety of settings unlike other regular lighting products.

Besides, its adaptability and flexibility and many variants make it unique, innovative and future friendly.

Decisions made easy

The table below specifies the different FERN variants. This ready reckoner allows you to decide quickly and easily the ideal lighting solution for your individual need.



Lighting Solution Index			Recessed Lighting	Pendant Lighting	Surface Mounted Lighting	
Description	Wattage	Mains Current	Model	Model	Model	
Cool White - LG7 Version	18w (1200 lm)	0.09A	GDR018.56L0	GDP018.56L0	GDS018.56L0	
Cool White - Standard version			GDR018.56S0	GDP018.56S0	GDS018.56S0	
Neutral White - LG7 Version			Ideal for 2x18w =36w CFL system substitute	GDR018.40L0	GDP018.40L0	GDS018.40L0
Neutral White - Standard version				GDR018.40S0	GDP018.40S0	GDS018.40S0
Warm White - LG7 Version				GDR018.30L0	GDP018.30L0	GDS018.30L0
Warm White - Standard version			GDR018.30S0	GDP018.30S0	GDS018.30S0	
Cool White - LG7 Version	12w (800 lm)	0.07A	GDR012.56L0	GDP012.56L0	GDS012.56L0	
Cool White - Standard version			GDR012.56S0	GDP012.56S0	GDS012.56S0	
Neutral White - LG7 Version			Ideal for 1x18w =18w CFL system substitute	GDR012.40L0	GDP012.40L0	GDS012.40L0
Neutral White - Standard version				GDR012.40S0	GDP012.40S0	GDS012.40S0
Warm White - LG7 Version				GDR012.30L0	GDP012.30L0	GDS012.40S0
Warm White - Standard version			GDR012.30S0	GDP012.30S0	GDS012.30S0	
Cool White - LG7 Version	6w (450 lm)	0.06A	GDR006.56L0	GDP006.56L0	GDS006.56L0	
Cool White - Standard version			GDR006.56S0	GDP006.56S0	GDS006.56S0	
Neutral White - LG7 Version			Ideal for 1x10w =10w CFL system substitute	GDR006.40L0	GDP006.40L0	GDS006.40L0
Neutral White - Standard version				GDR006.40S0	GDP006.40S0	GDS006.40S0
Warm White - LG7 Version				GDR006.30L0	GDP006.30L0	GDS006.30L0
Warm White - Standard version			GDR006.30S0	GDP006.30S0	GDS006.30S0	
FILLER for Cutout Dimensions of 157mm to 180mm (For recess)			P0852			

Accessory detail in Line diagrams

The diagrams given below illustrate the technical specifications of FERN variants including Recessed, Pendant and Surface Mounted solutions. It enables you to visualize and understand the level of detail and thought that has gone into designing future friendly solutions that are elegant and fit every mood.

